

# 10.000系列

带排污孔的螺纹式Y型过滤器  
*Threaded Y strainer with drain*



DOWNLOAD  
DATASHEET



**b**-Smart, Be-Brandoni



**brandoni**  
VALVES

[www.brandonivalves.com](http://www.brandonivalves.com)

## 带排污孔的螺纹式Y型过滤器 / Threaded Y strainer with drain

10.000系列螺纹式Y型过滤器，阀体材质为CF8M不锈钢，严格按照相关产品质量标准生产。它们是保护泵、阀、防回流阀和减压阀免受杂质（生锈、焊接零件、固体）危害的必备之件。

适用于化工、食品、工业系统。也可用于供热、制冷（HVAC）、供水和农业系统。

**YES:** 可水平或垂直安装。

The filters in series 10.000 are threaded Y filters, with a body made of CF8M stainless steel, which are manufactured in accordance with severe product norms. They are a prerequisite for protecting pumps, valves, backflow preventers and pressure reducing valves against dirt (rust, welding parts, solids).

The filters are suitable for chemical, food and industrial plants. Also for heating and cooling (HVAC), for the distribution of water, and for agricultural purposes.

**YES:** installation in horizontal and vertical positions.

## 认证 / Certifications



符合2014/68/UE (ex 97/23/CE PED) 标准

In conformity with directive 2014/68/UE (ex 97/23/CE PED)

## 结构及检测标准:

螺纹标准: ISO 228-1

标识标准: EN19

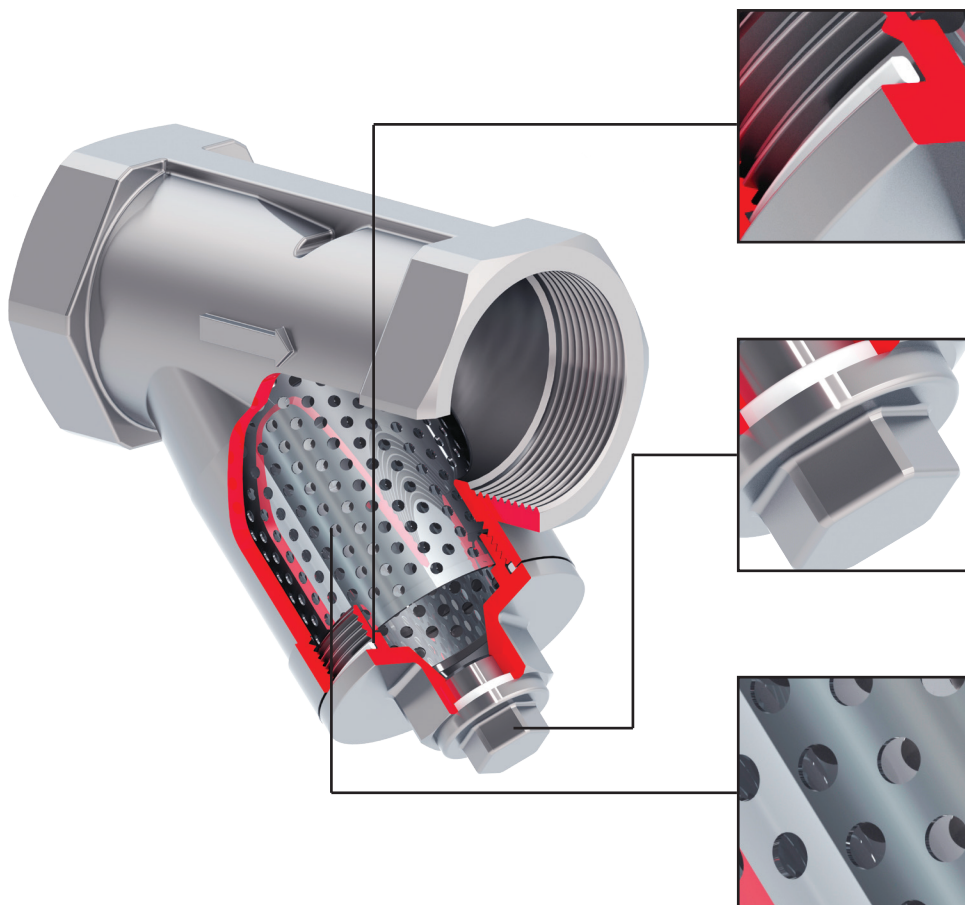
检测标准: EN 12266

**Design and testing standards (correspondences):**

Threading: ISO 228-1

Marking: EN19

Testing: 100% testing in accordance with EN 12266



PTFE密封。  
*PTFE seal.*

排污孔保证Y过滤器水平或垂直安装时均可完全排污。  
*Plug for complete drainage in both positions, horizontal and vertical.*

不锈钢冲孔滤网。  
*Stainless steel perforated sheet strainer.*

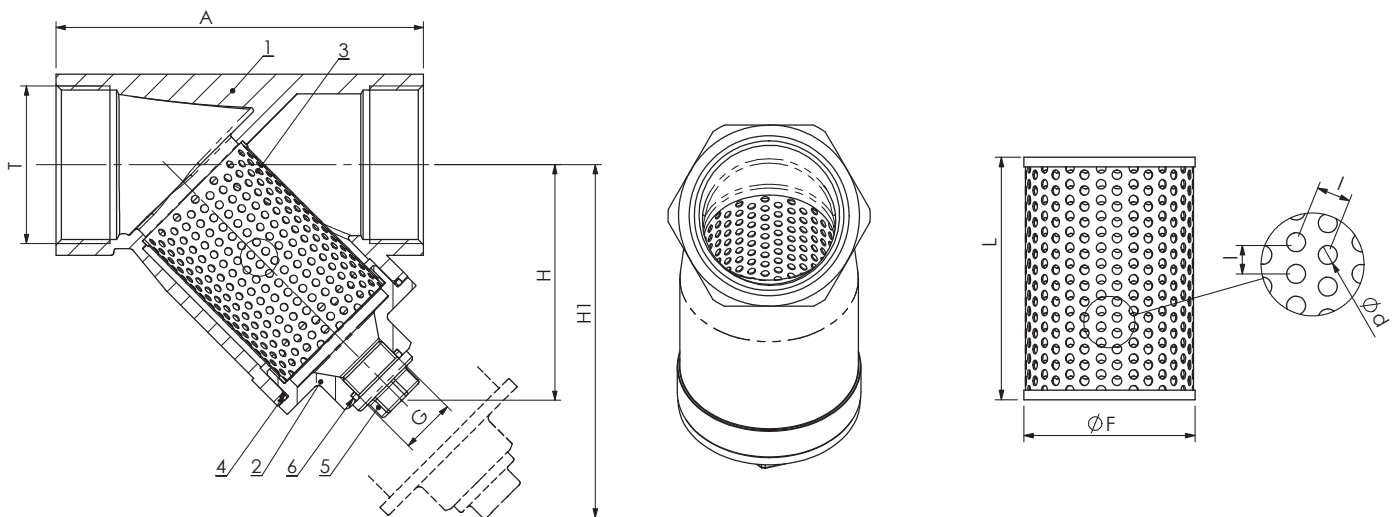
## 带排污孔的螺纹式Y型过滤器 / Threaded Y strainer with drain



### 10.000

阀体：不锈钢  
 滤网：不锈钢  
 工作温度：-20 + 200°C

Body: Stainless steel  
 Filter: Stainless steel  
 Temp: -20 +200°C



### 尺寸 (mm) / Dimensions (mm)

DN		7	10	15	20	25	32	40	50	65
T	ISO 228/1	1/4"	3/8"	1/2"	3/4"	1"	1" 1/4	1" 1/2	2"	2" 1/2
A		65	65	65	80	90	105	120	140	167
H		35	35	35	45	57	58	66	78	97
H1		56	70	70	90	110	120	140	160	190
G	ISO 228/1	1/4"	1/4"	1/4"	1/4"	3/8"	1/2"	1/2"	1/2"	1/2"
L		29	29	29	40,5	49	54	64	76	94,5
F		19	19	19	23,5	33	36	44	54	70
d		1	1	1	1	1	1	1	1	1
l		2	2	2	2	2	2	2	2	2

### 重量 (kg) / Weight (kg)

kg		0,25	0,21	0,22	0,36	0,69	0,76	1,22	1,79	2,69
----	--	------	------	------	------	------	------	------	------	------

## 材质 / Materials

	组件 - Component	材质 - Material
1	阀体 - Body	不锈钢 - Stainless steel ASTM A351 CF8M
2	阀盖 - Bonnet	不锈钢 - Stainless steel ASTM A351 CF8M
3	滤网 - Strainer	不锈钢 - Stainless steel AISI 316
4	密封 - Seal	PTFE
5	堵头 - Plug	不锈钢 - Stainless steel AISI 316
6	柱塞垫 - Plug gasket	FKM (Viton®)

## 工作压力 / Pressure

最大工作压力 / Maximum pressure

40 bar

## 工作温度 / Temperature (°C)

温度 - Temperature

最低 min

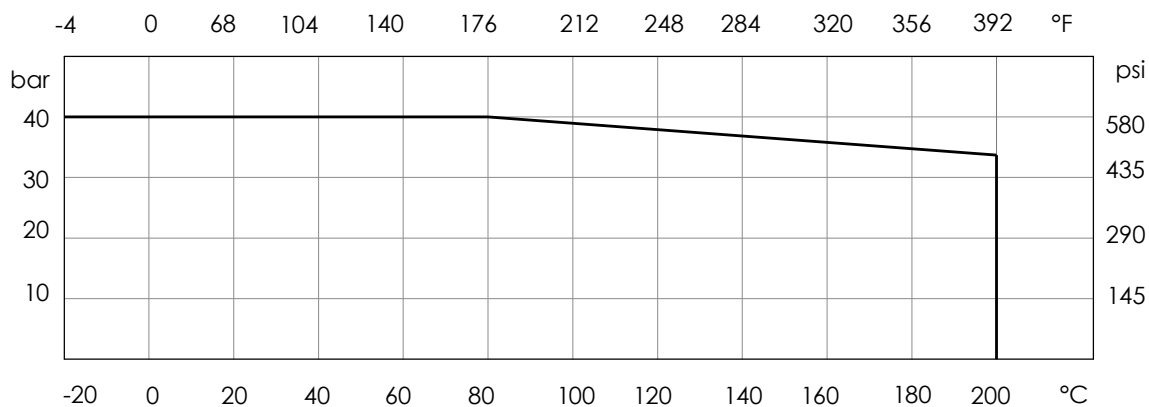
最高 - Max

-20

200

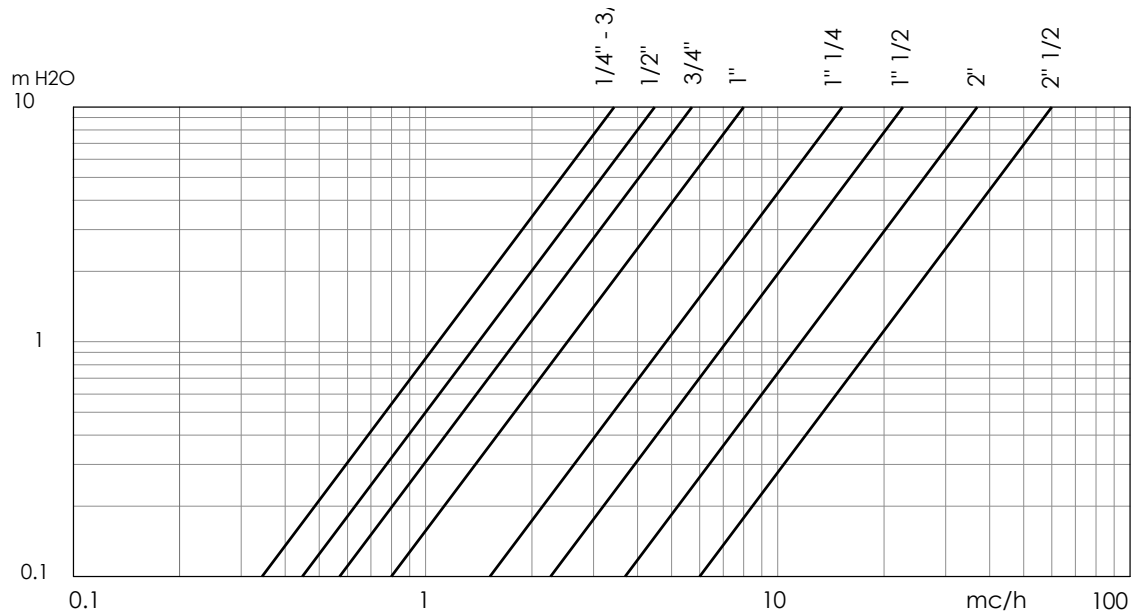
注意：温度上升时最大工作压力会有所下降；详情请参考压力温度曲线  
 NB: the maximum working pressure decreases while the temperature increases; please refer to "pressure/temperature" chart

## 压力温度曲线 - Pressure/temperature chart



## 带排污孔的螺纹式Y型过滤器 / Threaded Y strainer with drain

水头损失 介质: 水 (1m H<sub>2</sub>O = 0,098bar) / Head loss Fluid: water (1m H<sub>2</sub>O = 0,098bar)



## Kv - DN 表 / Kv - DN chart

DN		1/4"	3/8"	1/2"	3/4"	1"	1" 1/4	1" 1/2	2"	2" 1/2
Kv	mc/h	3.5	3.5	4.5	5.7	7.9	16	23	36	60

Brandoni Sp.A保留随时更改产品设计和/或构造的权利, 恕不另行通知。更多信息, 请访问 [www.brandonivalves.com](http://www.brandonivalves.com)

Brandoni Sp.A reserves the right to make changes in design and/or construction of the products at any time without prior notice. For further information, please refer to [www.brandonivalves.com](http://www.brandonivalves.com)